



100W, 250W HID Replacement
160W or 200W, 400 HID Replacement



IP65 LED HIGH BAYS

Frame Finishing

Black/ White 

Applications

Workshops/ Storehouses

Factories / Gas stations

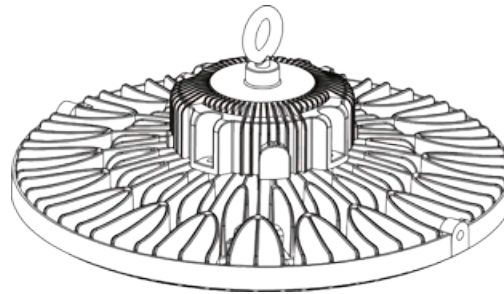
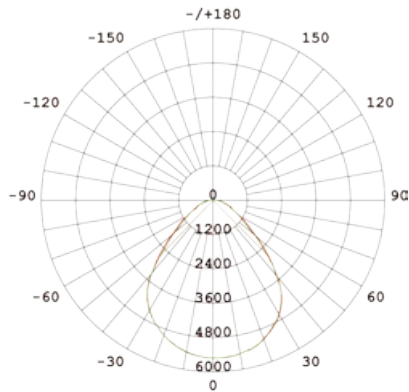
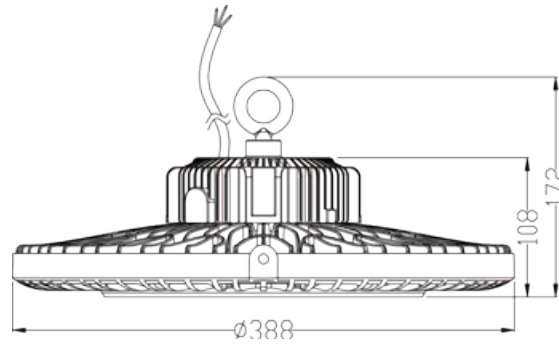
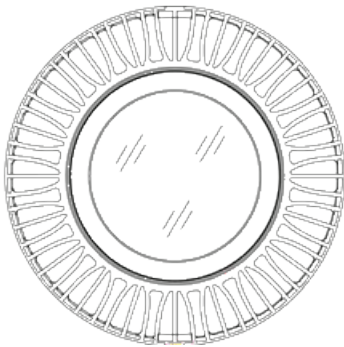
other Industrial lighting places

Features

- ☒ **Wattage: 100W/ 160W/ 200W**
- ☒ **High performance 90LM/W**
- ☒ **0-10V dimmable**
- ☒ **Beam: 60°/ 90°/ 120°**
- ☒ **Input voltage: 100-240VAC**
- ☒ **Special heat sink**
- ☒ **5 years Guarantee(Including driver)**
- ☒ **PF up to 0.99, efficiency up to 93%**



Specifications & Dimensions



* XW (WW-3000K/ NW-4000K/ PW-6000K)

Part Number	Power (w)	Lumen (lm)	LEDs (pcs)	Dimensions (mm)	Beam Spread
SL-BAY-100W-XW*-AN	100	9000	126	Ø388	60° / 90° / 120°
SL-BAY-160W-XW*-AN	160	14500	198	Ø388	60° / 90° / 120°
SL-BAY-200W-XW*-AN	200	18000	246	Ø388	60° / 90° / 120°